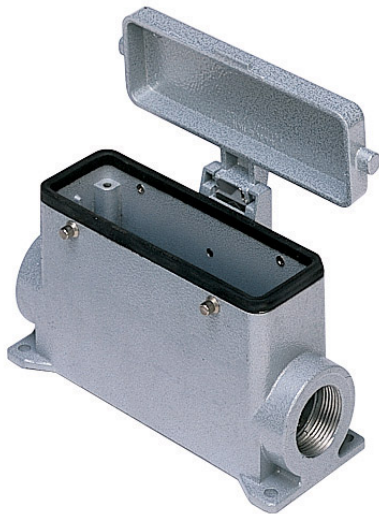


Part number

# CAP 24 CS29



## Brief description:

surface mounting housings with 4 pegs, size "104.27", metal cover, Pg29, metal version, IP65

### Product description

Version	metal version
Series	Surface housings, with 4 pegs
Product type	with 4 pegs and gasket
Variant	metal cover
Style	high construction
Family	CLASS enclosures
Size	size "104.27"

### Technical data

Operating temperature range (min, max)	-40°C ... +125°C
Material	metal
IP degree of protection	IP65
Cable entry	Pg29

### Further technical details

Weight	455,00 g
--------	----------

### Approvals / Standards

Quality mark	 (type:4/4X/12),  , EAC
Conformity	CQC, CE

### General ordering information

EAN13 code	8015747008419
Tariff number	85369095

### Packaging Information

Packaging length	475,00 mm
Packaging height	220,00 mm
Packaging width	200,00 mm
Packaging weight	4,55 kg
Packaging volume	20,90 dm <sup>3</sup>
Packaging description	Carton box
Packaging quantity	10 Pcs
Packaging EAN code	8015747236928
Sub-packaging weight	2,28 kg
Sub-packaging description	Plastic packaging
Sub-packaging quantity	5 Pcs
Sub-packaging EAN barcode	8015747236935

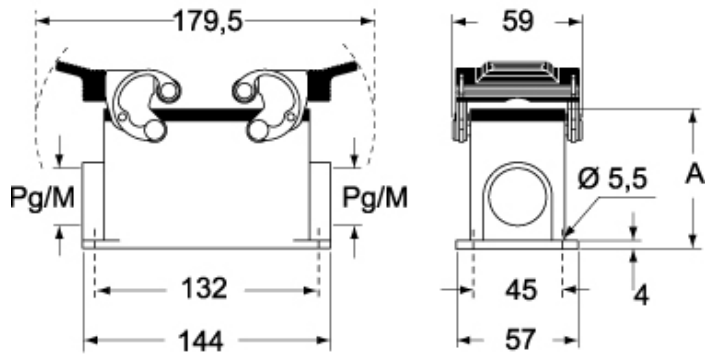
Part number

# CAP 24 CS29

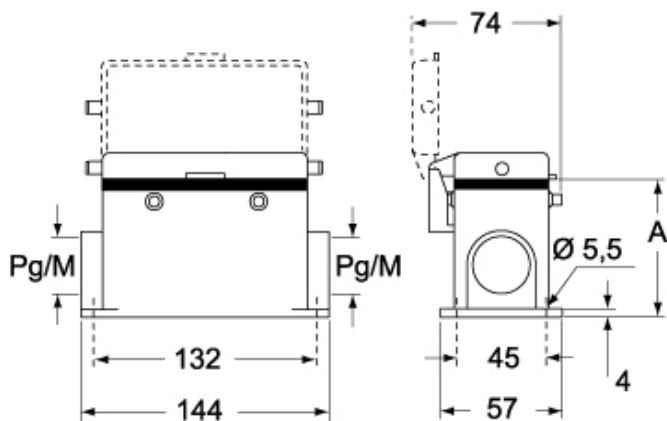


Catalogue drawings

## CHP CAP - MHP MAP



## CHP CS/CP CAP CS/CP - MHP CS/CP MAP CS/CP



	<b>A</b>
<b>CHP / MHP</b>	63
<b>CAP / MAP</b>	80
<b>CHP CS / MHP CS</b>	63
<b>CAP CS / MAP CS</b>	80
<b>CHP CP / MHP CP</b>	63
<b>CAP CP / MAP CP</b>	80